

PROHEAT®

2X ULTRA



Our new 2X formulas are concentrated therefore less is needed than indicated on your tank. Please follow instructions to mark a new fill line.

Instructions:

Option 1 (Liquid Measure):

1. Using a standard liquid measuring cup (or cap on BISSELL 2X deep cleaning formula), measure 2 oz of formula (1 cap full) and pour into tank.

2. Using permanent marker draw new 2X formula line.

3. The old formula line is now the new water line.

Option 2 (Template):

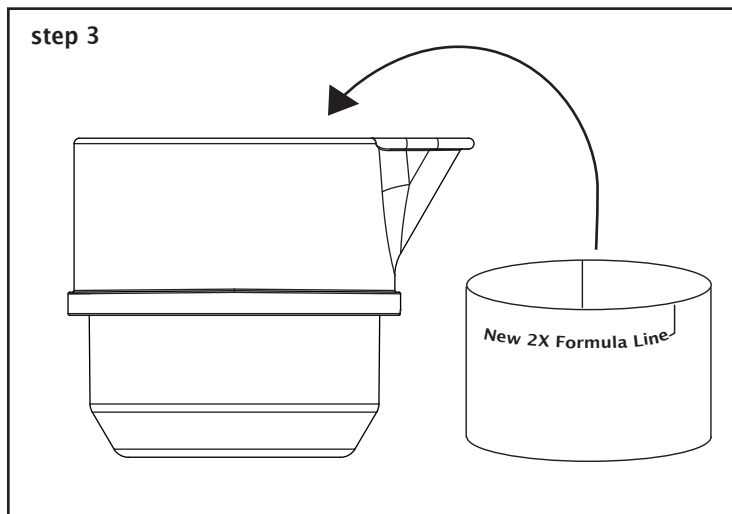
1. Print out template at 100% on 8 1/2 x 11 (letter size) paper.

2. Use scissors to cut on dotted lines.

3. Fold paper to make a cylinder to fit inside cup. The formula line should be facing outside of the cup.

4. Use a permanent marker to trace new formula line where template indicates.

5. The old formula line is now the new water line.



to verify print accuracy

1 inch scale

New 2X Formula Line ↗

cut along dotted line