

SPOTbot™

USER'S GUIDE
88D6 SERIES 220-240V



3 Safety Instructions

4-5 Product View

6-7 Special features

7-10 Operation

11 Maintenance and Care

12-13 Troubleshooting

14 Consumer Services

15 Replacement Parts

15 Additional Accessories

16 Warranty



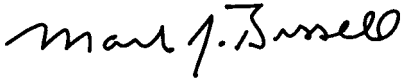
Thank you for buying a BISSELL SpotBot

We're glad you purchased a BISSELL SpotBot. Everything we know about floor care went into the design and construction of this powerful, high-tech home cleaning system.

Your BISSELL SpotBot is well made, and we back it with a limited one year warranty. We also stand behind it with a knowledgeable, dedicated Consumer Services Department, so, should you ever have a problem, you'll receive fast, considerate assistance.

My great-grandfather invented the floor sweeper in 1876. Today, BISSELL is a global leader in the design, manufacture, and service of high quality homecare products like your BISSELL SpotBot.

Thanks again, from all of us at BISSELL.



Mark J. Bissell

President and Chief Executive Officer

IMPORTANT SAFETY INSTRUCTIONS

When using an electrical appliance, basic precautions should be observed, including the following:

READ ALL INSTRUCTIONS BEFORE USING YOUR SPOTBOT.

Always connect to a properly Earthed outlet. Unplug from outlet when not in use and before conducting maintenance or troubleshooting.

WARNING: To reduce the risk of fire, electric shock, or injury:

- Use indoors only
- Do not use with damaged cord or plug
- Do not service machine when it is plugged in
- If the supply cord is damaged, it must be replaced by the manufacturer or its service agent in order to avoid a hazard
- Do not use machine if it has been dropped, damaged, left outdoors or dropped into water
- Do not pull or carry by cord, use cord as a handle, close door on cord, pull cord around sharp corners or edges, run appliance over cord, or expose cord to heated surfaces
- Do not carry the appliance while in use
- Do not unplug by pulling on cord; unplug by grasping plug not the cord
- Do not handle plug or appliance with wet hands
- Do not put any object into appliance openings, use with blocked opening or restrict air flow
- Do not expose hair, loose clothing, fingers or body parts to openings or moving parts
- Do not pick up hot or burning objects
- Do not pick up flammable or combustible materials (lighter fluid, petrol, kerosene, etc.) or use in the presence of explosive liquids or vapours
- Do not use appliance in an enclosed space filled with vapours given off by oil base paint, paint thinner, some moth proofing substances, flammable dust, or other explosive or toxic vapours
- Do not use without tanks in place

- Remove plug from electrical outlet before cleaning or maintaining the appliance
- Not intended for use by persons (including children) with reduced physical, sensory or mental capabilities, or lack of experience and knowledge, unless they have been given supervision or instruction concerning use of the appliance by a person responsible for their safety
- Young children should be supervised to ensure that they do not play with the appliance
- Do not pick up toxic material (chlorine bleach, ammonia, drain cleaner, petrol, etc.)
- Do not modify the Earthed plug
- Do not use for any purpose other than described in this User's Guide
- Use only manufacturer's recommended attachments
- Use only cleaning products formulated by BISSELL for use in this appliance to prevent internal component damage
- Keep openings free of dust, lint, hair, etc.
- Keep appliance on a level surface
- Turn off all controls before unplugging
- Be extra careful when cleaning stairs
- Pay close attention when working around children

SAVE THESE INSTRUCTIONS.

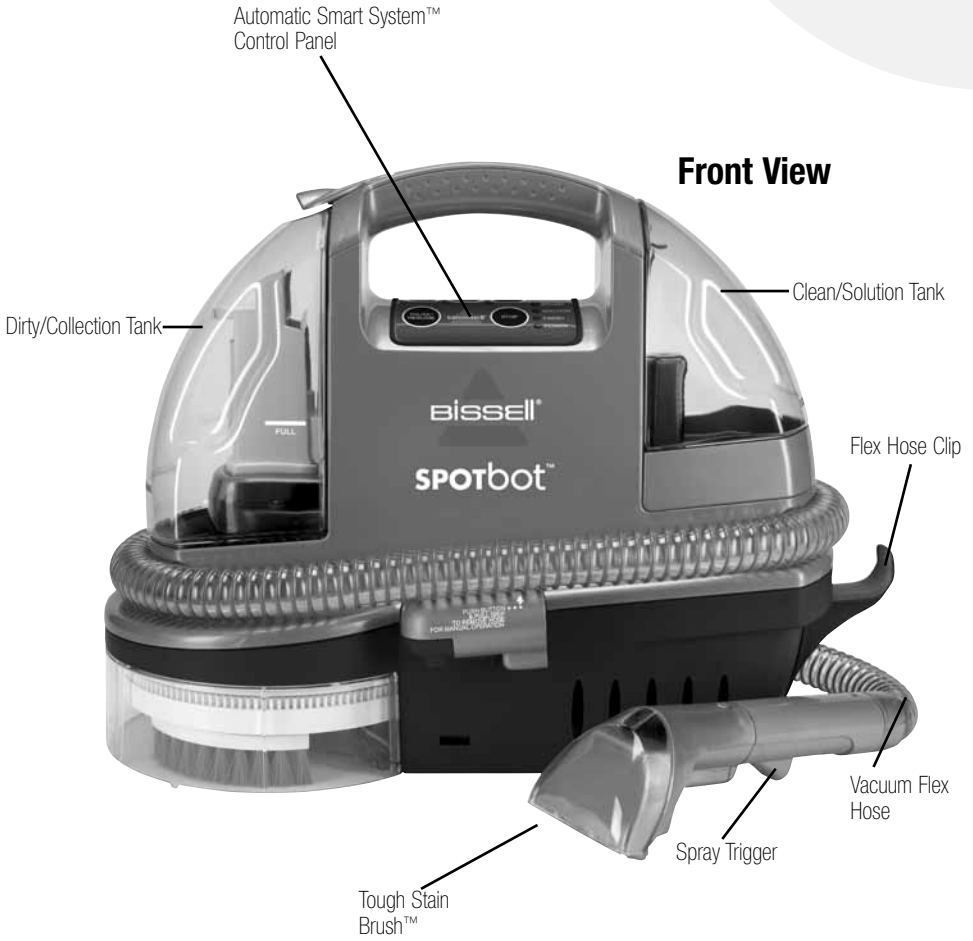
THIS MODEL IS FOR HOUSEHOLD USE ONLY.

 **WARNING:** This appliance must be Earthed.

IMPORTANT FOR OPERATION ON A 220-240 VOLT A.C. 50/60 Hz POWER SUPPLY ONLY.

If your appliance is fitted with a nonrewireable BS 1363 plug it must not be used unless a 13 amp (ASTA approved to BS 1362) fuse is fitted in the carrier contained in the plug. Spares may be obtained from your BISSELL supplier. If for any reason the plug is cut off, it must be disposed of, as it is an electric shock hazard should it be inserted into a 13 amp socket.

Product view



To order replacement parts, additional tools or formulas, please refer to page 15.

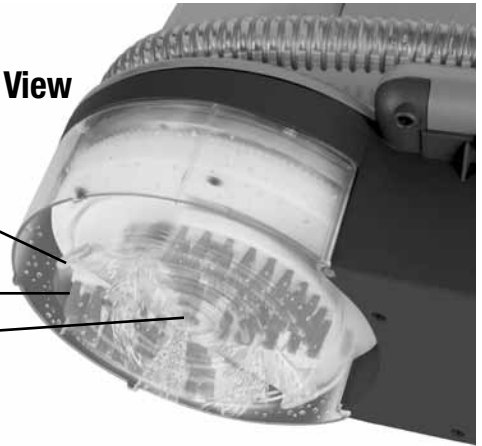
Product view

Underside View

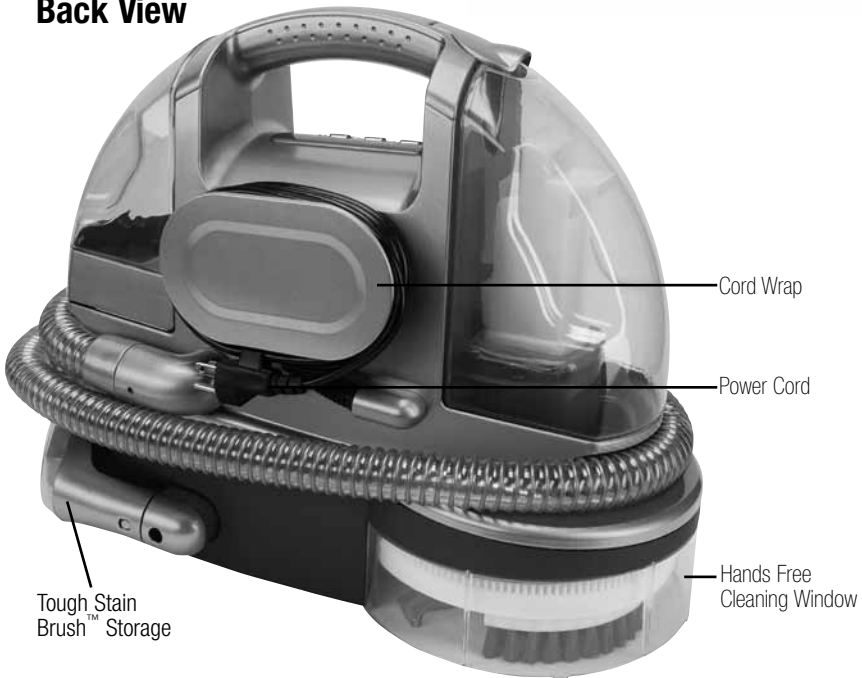
Vacuum
Suction Nozzles

Hands Free
Cleaning Brush

Spray Tip



Back View



Cord Wrap

Power Cord

Tough Stain
Brush™ Storage

Hands Free
Cleaning Window

Keep plenty of genuine BISSELL Advanced Cleaning Formulas on hand so you can clean whenever it fits your schedule. Always use genuine BISSELL deep cleaning formulas. Non-BISSELL cleaning formulas may harm the machine and void the warranty.

Special features

Front view

Clean/solution tank

Located to the right of the unit when you are facing the unit. Holds the clean water and formula.

Automatic Smart System control panel

Located in the center of the unit. This is where you will begin selection of the smart cleaning cycle you would like to use (detailed instructions on page 8).

Dirty/collection tank

Located to the left of the unit when you are facing the unit. Holds the dirty water that is suctioned up.

Vacuum flex hose

Wraps around the center of the unit. Serves as the travel path for dirty water that is suctioned up into the dirty/collection tank.

Flex hose clip

Located on the end of the unit near the clean/solution tank. It is a guide for wrapping the vacuum flex hose.

Tough Stain Brush

Attach to the end of the hose for cleaning in manual mode or store in the storage area for handsfree cleaning.

Spray trigger

When cleaning in the manual mode, press the spray trigger to release water and formula onto the area to be cleaned.

Underside view

Handsfree cleaning brushes

Provides cleaning action when using the surface stain or set-in handsfree cleaning cycles.

Spray tip

Water and formula are dispensed here when cleaning in the handsfree mode.

Vacuum suction nozzles

Provides a suction path for the dirty water when using the handsfree cleaning cycles.

Special features

Back view

Handsfree cleaning window

Provides an area to see the handsfree cleaning action.

Tough Stain Brush storage

Use for convenient on board storage of the Tough Stain Brush when using handsfree cleaning.

Power cord

Stores on the back of the unit around the oval cord wrap.

NOTE: Unwrap the power cord completely before operating the unit.

Cord wrap

Serves as a guide for the power cord storage. The cord wrap can be gently pushed in during use.

Operation

Getting ready

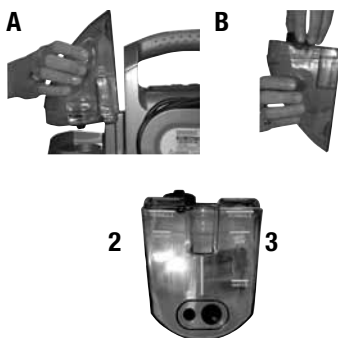
1. To fill the clean/solution tank:
 - A. Remove the clean/solution tank by lifting it straight up and then away from the unit.
 - B. Unscrew the cap/insert at the bottom of the clean/solution tank.

There are 2 ways you can fill and use the clean/solution tank:

2. For common stains such as dirt, grime, pet, or oily stains, use the fill lines on the left side of the tank and fill with Little Green™ for Compacts formula (trial size included) and water.
3. For dye based stains such as coffee, fruit juices, cola and red wine, use the fill lines on the right hand side of the unit and fill with Little Green for Compacts and Oxy GEN2 formulas (trial size included) and water.

To begin cleaning

1. Plug your SpotBot in. The Power light will illuminate instructing you that there is power to the unit and it is ready to go.
2. Place the filled Clean/Solution tank onto the unit.



WARNING:
Do not use without
tanks in place.

Tip:

Before spot cleaning with the SpotBot's handsfree feature, dry vacuum the area first.

Operation

Automatic Smart System

Your new SpotBot features an Automatic Smart System that takes the guesswork out of spot and stain cleaning. With the touch of a button, you can select the cleaning cycle to use your preferred method of cleaning.

- 1. Surface Stain Cycle** This cycle has been designed for stains that are on the surface of your carpeting and have not had time to penetrate deep in to your carpet fibers. This cycle will run for approximately 3 minutes.
- 2. Set-In Stain Cycle** Use on stains that have had a period of time to set-in and penetrate deep into your carpet fibers. These are typically the most difficult stain types to remove. This cycle runs for approximately 6 minutes.
- 3. Manual / Hose** By selecting this option you can clean spots and stains manually on surfaces such as upholstery, car interiors, stairs or wherever you have a need to clean manually.
NOTE: You will need to use the hose with the Tough Stain Brush attached to it to clean in manual mode.
- 4. Pause/Resume** Use to check the status of a cleaning cycle (surface stain or set-in stain). If you hit the pause button once, it pauses the cleaning cycle it is currently in. By pressing it one more time to resume, you will pick up in the cleaning cycle where you left off.
- 5. Stop** By depressing the stop button, you will stop your SpotBot in either the surface stain or set-in stain cycle. To begin cleaning again, you will need to select one of the cleaning cycles again.
- 6. Status Indicators** Much like the dishwasher in your kitchen, the status Indicators will instruct you regarding status within a cleaning cycle. You will hear changes in the sound of the machine at different points in a cycle. When your selected cleaning cycle is complete, the finish light will illuminate and you will hear a beep every five seconds until you depress the stop button.



Tip:

Some spots and spills require that you pick up the chunky debris with a rag or towel before you begin cleaning in the handsfree or manual cycles.

Operation

Handsfree cleaning

1. Place the unit directly over the spot or stain, making sure the stain is in the center of the handsfree cleaning area.
2. Select which cleaning cycle (surface stain or set-in stain) you would like to begin with. Your SpotBot will begin spraying, brushing and suctioning up the spots and stains in its pre-programmed cycle. Both cycles have been tested and proven to deliver superior cleaning results, taking the guesswork out of cleaning for you.
3. When the cleaning cycle you have selected is complete, the SpotBot will beep. The beep will continue every five seconds until you depress the stop button.
4. Pick up the unit and check the area that was cleaned.
5. If you have used Oxy GEN2, this chemical will continue to work for the next six to eight hours, cleaning your spots and stains all the way to the backing of the carpet.



Tip:

If the unit accidentally tips or is tilted, the handsfree cleaning brushes will stop.

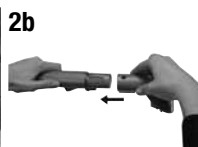
Tip:

Some difficult stains may require that you run the cleaning cycle a second time.

Operation

Manual/hose cleaning

1. Remove the hose from the unit by depressing the release button.
2. Remove the Tough Stain Brush from the back of the unit by depressing the release button. Attach the Tough Stain Brush onto the grip of the flex hose.
3. Select the manual/hose button on the control panel to start the SpotBot.
NOTE: In manual mode, the SpotBot will not turn on until the hose is removed from the unit. If it is not removed within 30 seconds of pushing the start button, the unit will shut off.
4. If your unit has a built in heater (not standard on all models) press the heater button to turn on the heat feature. Begin cleaning by holding the tool no more than six inches above the soiled surface. Depress the spray trigger for about five seconds to apply the cleaning solution to the soiled area then release the spray trigger. Be careful not to over wet.
5. Using the brush on the tool, gently scrub the soiled area for about 30 seconds or until the soiled area appears to be clean.
6. To suction up the dirt and cleaning solution, position the suction nozzle over the cleaned area, apply downward pressure on the tool, and pull nozzle toward you. You should see the dirty water pass through the nozzle. Continue until no more water can be removed. Normally, this step will require no more than one minute of back and forth passes.
NOTE: In manual mode, the SpotBot is equipped with a safety feature which will shut the unit off after 30 minutes. Press start to resume cleaning.
7. If the stain is still visible, repeat steps 4-6 as necessary.
8. When the cleaning is complete, lightly drag the suction nozzle across the stain for about two minutes to further aid in drying the cleaned area.
9. Press the manual/hose button to turn off the SpotBot.



Tip:

One of the effective stain removing ingredients in Oxy GEN2 is Hydrogen Peroxide. Certain people may be affected by the formula when it comes into contact with their skin; it may turn the skin white and/or cause tingling. Washing your hands after use and applying hand lotion will remove any possible white discoloration.

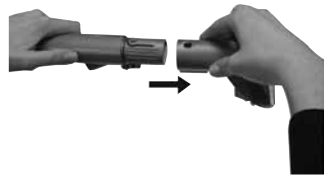
Tip:

Check upholstery stuffing before cleaning. Colored stuffing may bleed through the fabric when it becomes wet.

Maintenance and care

Hose cleaning

1. Before turning off the SpotBot, suction up clean water to thoroughly rinse out the inside of the hose. Then, lift the hose upwards to drain any remaining water into the dirty tank.
2. Disconnect the cleaning tool from the hose by pushing down on the release button and pulling straight off (do not twist tools to remove them).
3. Once the tool is removed from the hose it can be cleaned by rinsing under clean running water. When thoroughly dried, place back into the storage area.



Storage

1. Unplug the power cord from the outlet. Wrap power cord around the cord wrap.
2. Empty and rinse the dirty/collection tank after each use, or when dirty water reaches the indicated maximum fill line. To remove, lift up the tank latch and pull the dirty/collection tank out. Dump out the dirty water and rinse with clean water. Replace the dirty/collection tank back into the unit for storage.
3. After using the SpotBot's handsfree feature, wipe the window and brushing area with a soft cloth.
4. If you were using your SpotBot manually, wrap the vacuum flex hose around the unit and secure the spray trigger into the storage area on the front of the unit.
5. Store unit indoors at room temperature (4° to 43°C).

Tip:

If a significant amount of water and formula remain in the clean/solution tank, your unit can be stored with liquid in it. However, if you have added Oxy GEN2 into the clean tank, fresh Oxy GEN2 should be added prior to the next use to optimize performance.



Tip:

Periodically clean out the black valve inside of the dirty/collection tank.

Troubleshooting

Handsfree Cleaning

Cleaner will not run

Possible Causes

1. Power cord not plugged in.
2. The unit is not sitting flat on the carpeting.
3. Vacuum flex hose is not snapped into place securely.

Unusual or Odd Noise

Possible Causes

1. Clean/solution tank is out of fluid.

Reduced or No Spray

Possible Causes

1. Spray tip clogged.
2. Clean/solution tank is out of fluid.
3. Clean/solution tank is not inserted into the unit securely.

No Suction

Possible Causes

1. Dirty/collection tank is full.
2. Dirty/collection tank latch is not down.
3. Black valve on the dirty/collection tank is missing.

Remedies

1. Check electrical plug.
2. Remove what is obstructing the floors surface.
3. Check to make sure the vacuum flex hose is snapped into place.

Remedies

1. Fill clean/solution tank.

Remedies

1. Clean spray tip.
2. Fill clean/solution tank.
3. Gently press the clean/solution tank until you see "bubbles" coming from the base of the tank.

Remedies

1. Empty dirty/collection tank.
2. Push latch down securely into place.
3. Replace black valve into dirty/collection tank.

Troubleshooting

Manual/Hose Cleaning

Cleaner will not run

Possible Causes

1. Power cord not plugged in.
2. Vacuum flex hose not removed from receiver.

Remedies

1. Check electrical plug.
2. Remove vacuum flex hose.

Unusual or Odd Noise

Possible Causes

1. Clean/solution tank is out of fluid.

Remedies

1. Fill clean/solution tank.

Reduced or No Spray

Possible Causes

1. Spray tip clogged on Tough Stain Brush.
2. Clean/solution tank is out of fluid.
3. Clean/solution tank is not inserted into the unit securely.

Remedies

1. Clean spray tip.
2. Fill Clean/solution tank.
3. Gently press the clean/solution tank until you see “bubbles” coming from the base of the tank.

No Suction

Possible Causes

1. Dirty/collection tank is full.
2. Dirty/collection tank latch is not down.
3. Black valve on the dirty/collection tank is missing.

Remedies

1. Empty dirty/collection tank.
2. Push latch down securely into place.
3. Replace black valve into dirty/collection tank.

Other maintenance or service not included in this manual should be performed by an authorized service representative.

**Thank you for selecting a BISSELL product.
Please do not return this product to the store.**

BISSELL Consumer Services

If your BISSELL product should require service:

In the UK, Australia or New Zealand, call BISSELL Consumer Services at the numbers below and we will give you the location of a BISSELL Authorized Service Center in your area. For all other countries, contact your local in country distributor for questions, service, or repair.

If you have questions about your warranty or need replacement parts please contact the numbers below.

For UK inquiries:

Monday - Thursday 9 am — 5 pm
Friday 9 am — 4 pm

BISSELL Homecare (Overseas) Inc.

The Boat Yard
105 Straight Road
Old Windsor
Berkshire, SL4 2SE
United Kingdom
Telephone: 0844-888-6644

For Australian inquiries:

Monday - Friday 9 am — 5 pm

BISSELL AUSTRALIA PTY LIMITED

42 Rocco Dr.
Scoresby 3179
Victoria
Australia
Telephone: 1-800-811-183

For New Zealand inquiries:

Monday - Friday 9 am — 5 pm

Parex Industries Ltd.

5 Tolich Place
Henderson 0610
Auckland
New Zealand
Telephone: 0800-247-735

For all other inquiries:

Monday - Friday 8 am — 4 pm

BISSELL Homecare, Inc.

PO Box 1888
Grand Rapids, Michigan 49501 USA
Telephone: 01-616-453-4451
Fax: 01-616-453-1383

Or visit the BISSELL website - www.bissell.com

When contacting BISSELL, have model number of unit available.

Please record your Model Number: _____

Please record your Purchase Date: _____

Note: Please keep your original sales receipt. It provides proof of date of purchase in the event of a warranty claim. See Warranty on page 16 for details.

Please do not return this product to the store.

Replacement parts

Item	Part No.	Part Name
1	203-6643	Clean/Solution Tank Assembly (includes Cap/Insert)
2	203-6644	Clean/Solution Tank Cap/Insert
3	203-6645	Dirty/Collection Tank
4	203-6648	Hose Clip



Additional accessories

Item	Part No.	Part Name
1	203-6651	3" Tough Stain Brush
2	203-6652	TurboBrush™
3	203-6653	4" Upholstery Tool
4	203-6654	6" Wide Stair Tool
5	203-6655	Spraying Crevice Tool
6	203-6647	Storage Tray
7	79B9E	473 mL 2x Little Green for Compacts Formula
8	74R7E	473 mL 2x Pet Stain for Compacts Formula
9	0801E	946 mL Oxy GEN2™



Warranty

This warranty gives you specific legal rights, and you may also have other rights which may vary from country to country. If you need additional instruction regarding this warranty or have questions regarding what it may cover, please contact BISSELL Consumer Services by telephone, or regular post as described below, or contact your local in country distributor.

Limited One Year Warranty

Subject to the *EXCEPTIONS AND EXCLUSIONS identified below, BISSELL Homecare, Inc., will replace (with new or remanufactured components), at BISSELL's option, free of charge from the date of purchase by the original purchaser, for one year any defective or malfunctioning part do to manufacturers defect.

This warranty applies to product used for personal, and not commercial or rental service. This warranty does not apply to fans or routine maintenance components such as filters, belts, or brushes. Damage or malfunction caused by negligence, abuse, or use not in accordance with the User's Guide is not covered.

For UK inquiries:

Monday - Thursday 9 am — 5 pm
Friday 9 am — 4 pm

BISSELL Homecare (Overseas) Inc.

The Boat Yard
105 Straight Road
Old Windsor
Berkshire, SL4 2SE
United Kingdom
Telephone: 0844-888-6644

For New Zealand inquiries:

Monday - Friday 9 am — 5 pm

Parex Industries Ltd.

5 Tolich Place
Henderson 0610
Auckland
New Zealand
Telephone: 0800-247-735

For Australian inquiries:

Monday - Friday 9 am — 5 pm

BISSELL AUSTRALIA PTY LIMITED

42 Rocco Dr.
Scoresby 3179
Victoria
Australia
Telephone: 1-800-811-183

For all other inquiries:

Monday - Friday 8 am — 4 pm

BISSELL Homecare, Inc.

PO Box 1888
Grand Rapids, Michigan 49501 USA
Telephone: 01-616-453-4451
Fax: 01-616-453-1383

BISSELL HOME CARE INC. IS NOT LIABLE FOR INCIDENTAL OR CONSEQUENTIAL DAMAGES OF ANY NATURE ASSOCIATED WITH THE USE OF THIS PRODUCT. BISSELL'S LIABILITY WILL NOT EXCEED THE PURCHASE PRICE OF THE PRODUCT.

*EXCEPTIONS AND EXCLUSIONS FROM THE TERMS OF THE LIMITED WARRANTY

THIS WARRANTY IS EXCLUSIVE AND IN LIEU OF ANY OTHER WARRANTIES EITHER ORAL OR WRITTEN. ANY IMPLIED WARRANTIES WHICH MAY ARISE BY OPERATION OF LAW, INCLUDING THE IMPLIED WARRANTIES OF MERCHANTABILITY AND FITNESS FOR A PARTICULAR PURPOSE, ARE LIMITED TO THE ONE YEAR DURATION FROM THE DATE OF PURCHASE AS DESCRIBED ABOVE.



©2009 BISSELL Homecare, Inc.
Grand Rapids, Michigan
All rights reserved. Printed in China
Part Number 120-4123
Rev 11/09
Visit our website at:
www.bissell.com

